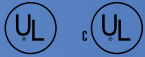


C-1200 Solid Core GO/NO Series

.15-50A range | Industry's Smallest Current Sensor

GO/NO

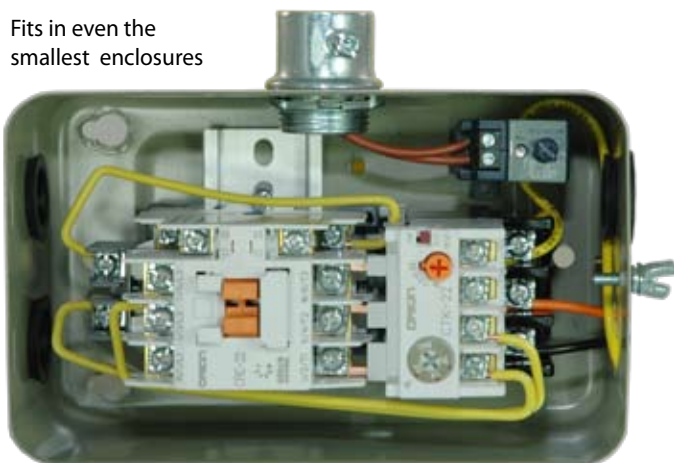


Easy Installation--the industry's smallest sensor

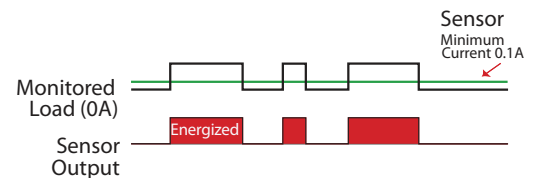
150 mA turn-on -
No wire wrapping to induce amperage

- Fits in small starter enclosures typically associated with exhaust fans
- Screw mount or use plug in iris to hang directly on wire--eliminates alignment issues
- Easy to wire--polarity insensitive output eliminates wiring errors
- Cost-effective
- Reduced labor cost compared to differential pressure switches
- Less expensive than 277V relays for lighting status
- Reliable
- 100% solid state, no moving parts to fail
- Industry leading 7 year warranty

Fits in even the
smallest enclosures



ON/OFF status of electrical apparatus



The C-1200 series output changes state whenever current above 0.15A is present. This provides "go/no" status on loads that are not subject to mechanical failures.

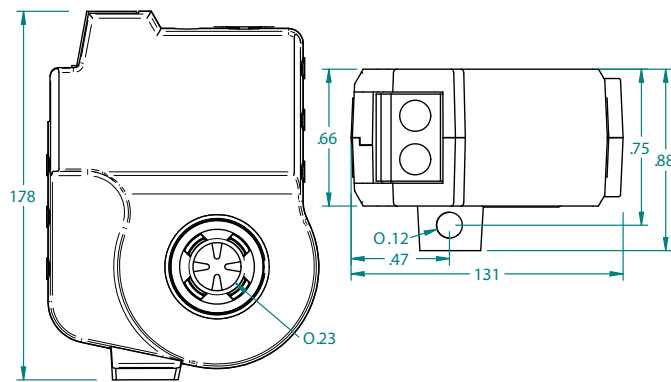
Typical on/off status applications include:

- Lighting circuits
- Heater elements
- Direct drive fans (e.g. exhaust fans)
- Fans & Pumps

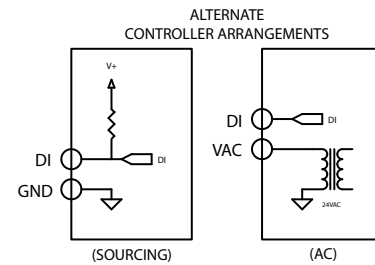
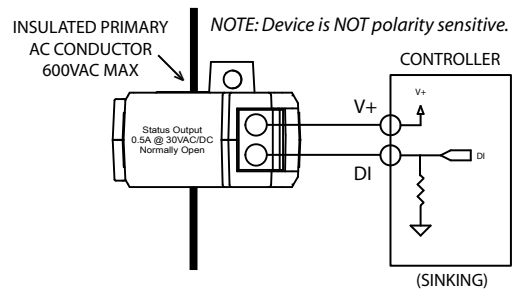
SPECIFICATIONS

Sensor only	C-1200	C-1200HV
Amperage Range	0.150A (on)-50A	0.150A (on)-50A
Sensor Output Type	NO, solid-state FET	NC, solid-state (polarity sensitive)
Sensor Output Rating	1.0A@30VAC/DC	0.2A@120VAC
Temperature Rating	-15-60 ° C	
Insulation Class	600V RMS. For use on insulated conductors only! Use minimum 75 ° C insulated conductor	
Sensor Power	Induced	
Frequency Range	50/60Hz	
Dimensions (LxWxH)	1.78" x 1.32" x 0.88"	
Sensor Aperture	0.23"	

DIMENSIONS for C-1200 GO/NO



WIRING for C-1200 GO/NO



Size comparison to the competition

The industry mighty-mite!

Eliminates the need to mount external junction boxes and results in a professional installation.

