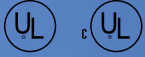


C-2300 Split Core GO/NO Series

.15-200A range | Command relay option | Din-Rail

GO/NO



Split-core is ideal for retrofit and new construction applications

Fits easily in small starter enclosures

- Great for fans, pumps, and small exhaust fans when detection of mechanical failures is not needed
- Removable mounting base for easy mounting
- DIN rail mount without additional components
- Easy to wire--polarity insensitive output eliminates wiring errors

Command relay option for start /stop!

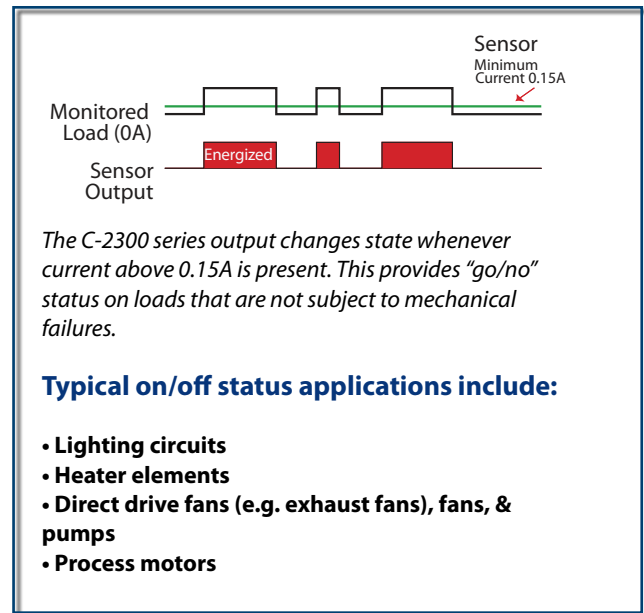
- Installation savings--get two devices installed for the price of one
- Removable relay facilitates service and lowers replacement cost
- Relay is long-life. Rated for 100,000 operations at full load
- Eliminates unsightly external control relays and associated wiring

Cost-Effective

- Reduced labor cost compared to differential pressure switches
- Maintenance-free--no call-backs

Reliable

- 100% solid state, no moving parts to fail
- Replace pressure switches and other electromechanical devices
- Industry leading 7 year warranty



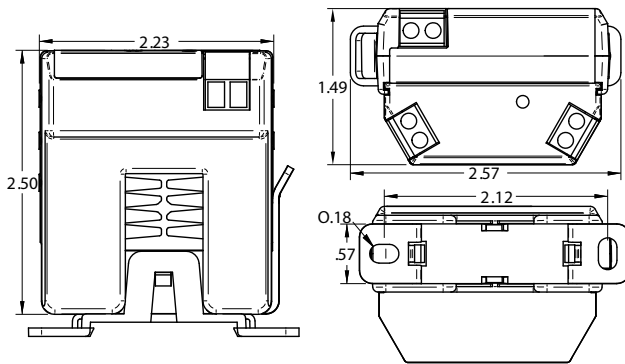
SPECIFICATIONS

Sensor only	C-2300	C-2300HV
Amperage Range	0.150A (on)-200A	0.150A (on)-200A
Sensor Output Rating	1.0A@30VAC/DC	0.2A@120VAC
Sensor Output Type	NO, solid-state FET	
Temperature Rating	-15-60 ° C	
Insulation Class	600V RMS. For use on insulated conductors only! Use minimum 75 ° C insulated conductor	
Sensor Power	Induced	
Frequency Range	50/60Hz	
Dimensions (LxWxH)	2.75" x 2.57" x 0.82" (1.49" H with optional command relay)	
Sensor Aperture	0.75"	

Command Relay	Output rating	Input power
CR3-24	N.O. 10(5)@250VAC	24VAC/DC 10mA
CR4-24	N.C. 10(5)@250VAC	24VAC/DC 10mA
CR3-12	N.O. 10(5)@250VAC	12VDC/DC 25mA

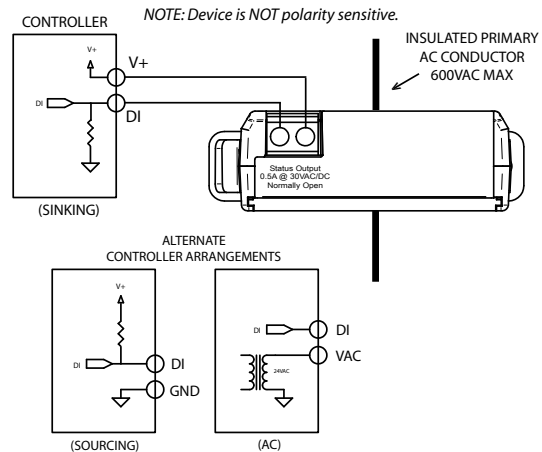
Other coil voltages available, Consult factory

DIMENSIONS for C-2300 GO/NO with Relay



Shown with optional command relay--start, stop, and status in single device

WIRING for C-2300 GO/NO with Relay



Din rail mountable without additional parts

Easy mount iris

Features a larger aperture size than most units

